

B6T & B6LED Series Beacons

ROTA-BEAM® Series / Combination Tailboard Lighting



B6MMRRP
Super-LED® Rotator with
Directional Linear Super-LED Lower.



B6TSAA1P
Rotator with
Directional Strobe Lower.



B6TLRR1P
Rotator with Directional
Linear Super-LED Lower.

Designed for use in NFPA 1901 Lighting Packages, the B6T and B6LED beacons combine 360° warning with lower level lighting in a single fixture.

The B6LED comes with a 360° Super-LED beacon and Linear Super-LED directional 700 Series lighthouse.

The B6T models have dual rotating reflector and a variety of choices for the directional lighthouse:

- **Linear Strobe**
- **Flashing Halogen**
- **Flashing Super-LED®**
- **8°-32° Halogen Scenelight**
- **Incandescent Brake, Tail or Turn**

FEATURES

- When used as a pair with red rotators alone, meets NFPA photometric requirements for Zone C, Upper.
- Dual halogen rotating beacon with double roller ball bearing design provides durability for long life performance.
- Dual rotating assembly uses a snap-in 60 watt lamp. Flashing halogen lighthouse use snap-in 35 watt halogen lamp.
- Built-in 700 Series lighthouse available in flashing halogen, linear strobe, flashing Super-LED, scenelight or brake/tail/turn.
- 700 Series linear strobe, produces exceptional wide angle light pattern. (Strobe lighthouse requires Whelen remote strobe power supply, purchased separately.)
- Flashing halogen lighthouse includes integral electronic flasher circuit at 75FPM.
- Casting mounts to a flat surface fast and simple using 3 Fastex™ screw grommets and 3 #10 fasteners.
- Polished aluminum finish is standard.
- Available in 12 VDC.

MODELS

- B6TS**1P...** RB6T rotating beacon upper section and directional strobe light in lower section.
- B6TF**1P...** RB6T rotating beacon upper section and directional halogen flashing light in lower section.
- B6TH*Z1P...** RB6T rotating beacon upper section and 8°-32° scenelight in lower section.
- B6TX*R1P...** RB6T rotating beacon upper section and brake/tail/turn in lower section.
- B6TM**1P...** RB6T rotating beacon upper section and directional Linear-LED® in lower section. Amber, blue or red LED.
- B6MM**P...** Super-LED® beacon upper section and directional Linear-LED® lighthouse in lower section. Amber, blue or red LED.

* Replace asterisks in model number with lens color desired: A = Amber; B = Blue; C = Clear; G = Green; R = Red. First asterisk refers to rotator dome; second refers to 700 Series lens.

LED's



Available in red, amber, green, blue, and clear



Strobe and Dome lenses available in 5 safety colors

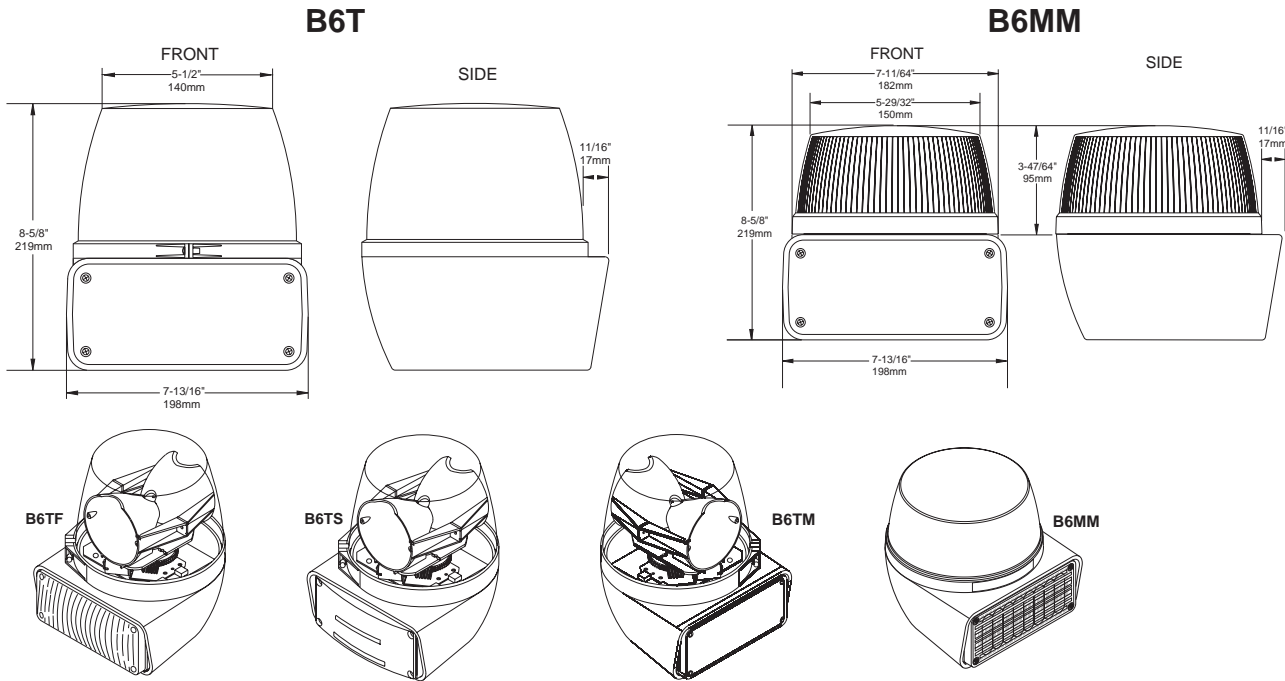
Form# B6T0207



Designed & Manufactured in the U.S.A.

WHELEN®
Engineers for the Emergency Warning Industry

SPECIFICATIONS



ELECTRICAL DATA

B6T Rotator

Voltage.....12.8VDC
 Current.....4.7 amps
 Flash rate....128RPM
 Lamp type....60 watt snap-in halogen lamp, relampable

B6M Super-LED® Beacon

Voltage12.8 VDC
 Current3.8 amps peak, 1.5 avg.
 Flash rate sync patterns: • SignalAlert™ 75 F>R
 • SignalAlert™ 75 Phase 1 • SignalAlert™ 75 Phase 2
 • SingleFlash 75 Phase 1 • SingleFlash 75 Phase 2

700 Series Flashing Halogen Lighthouse

Voltage.....12.8VDC
 Current.....2.75 Amps
 Flash rate....75 FPM
 Lamp Type....35 watt snap-in halogen lamp, relampable

700 Series Linear Strobe

Flash rate.....75 CometFlashes® per minute.
 (Requires Whelen remote strobe power supply purchased separately.)
 Lamp type....linear strobe tube

700 Series Super-LED®

Flash rate....built-in electronic flasher with 14 patterns plus steady-burn available:

- SignalAlert™ 75 • SignalAlert 150 • SingleFlash 375
- SingleFlash 150 • SingleFlash 75 • SingleFlash 15
- DoubleFlash 150 • DoubleFlash 75 • CometFlash® 75
- ActionFlash™ • ModuFlash™ • ComAlert™ • ActionScan™
- SignalAlert™ Steady • Steady (Brake)

Lamp type....Super-LED module

700 Series Scenelight

Lamp type....35 watt, snap-in halogen lamp relampable

700 Series Incandescent Brake/Tail/Turn

Lamp type....Incandescent lamp 1157 style

Contact us for our "NFPA 1901 Specification Lighting Packages" booklet. This booklet details complete packages and zone packages meeting NFPA 1901 requirements. Each lighting package includes a "Certificate of Compliance with NFPA 1901".



NOTICE: For optimum performance and reliability, Whelen strobe lighthoods are designed for use with Whelen strobe power supplies only. Substitution of any of these components with non-Whelen products voids all warranties and certifications.



Route 145, Winthrop Road
 Chester, Connecticut 06412-0684
 (860) 526-9504 • Fax: (860) 526-4078
 www.whelen.com



Whelen Engineering reserves the right to upgrade and improve products without notice.