

NEW PRODUCT!

Howler™ Siren & Speaker System

LOW FREQUENCY TONES FOR INTERSECTIONS AND HIGH RISK AREAS



Dual Siren Speakers

Siren Amplifier

An effective added layer of warning when used with your 100/200 watt siren amplifier. Howler provides deep, low frequency tones, which are able to penetrate other vehicles, alerting drivers and pedestrians of your approach.

Howler is not a replacement to the vehicle's primary siren; Howler adds a minimum eight second penetrating burst of low frequency siren sound for use in heavy traffic, intersections or other high ambient noise conditions.

FEATURES

- The Howler is an add-on to any 100-200 watt warning siren such as the Whelen 295SL Series. Works with most Siren Amplifiers. Includes two speakers for use with Howler amplifier only.
- Works with any sweeping tone, plus Hi/Low and electronic mechanical tone generated by the primary siren.

- The Howler low-frequency tones are **synchronous with your primary siren tones** to penetrate high noise, high traffic situations.
- The Howler Siren Amplifier module uses the primary siren speaker output wires and divides the frequency down to one of three frequency bands via dip switch. Selections are 1/4 tone, 1/2 tone or a composite of 1/4 and 1/2 tones.
- Lower frequency reverberating tones are better able to penetrate other vehicles, alerting drivers to the presence of the oncoming emergency vehicle.
- Push on/push off button activates/deactivates the siren, allowing radio transmission to the vehicle without waiting for the unit to time out.
- Built-in timer limits over-exposure time to operator. Operators are advised to wear approved hearing protection.
- Two separate external cancel controls, standard. A positive or negative activation will cancel tone.
- Select tone duration and tone style via easy Scan-Lock™ feature and LED indicator. (selection of 8 different tone durations: 8-60 seconds maximum)

- Size, Speaker without bracket: 7-1/4" (184mm) Dia. x 9" (229mm) L. Weight: 8 lbs. (3.63kg). Size, Amplifier: 2-1/4" (54mm) H x 5" (127mm) D x 4-3/4" (120mm) L.

MODEL

HOWLER: Siren amplifier with two speakers

Mounting Brackets for 2008 vehicles

HWLRB1: Ford Crown Victoria

HWLRB2: Ford Expedition

HWLRB3: Ford F-Series Super Duty

HWLRB4: Ford E-Series

HWLRB5: Chevy Suburban & Tahoe

HWLRB6: Dodge Charger



*Whelen Products
are proudly made
in the U.S.A*

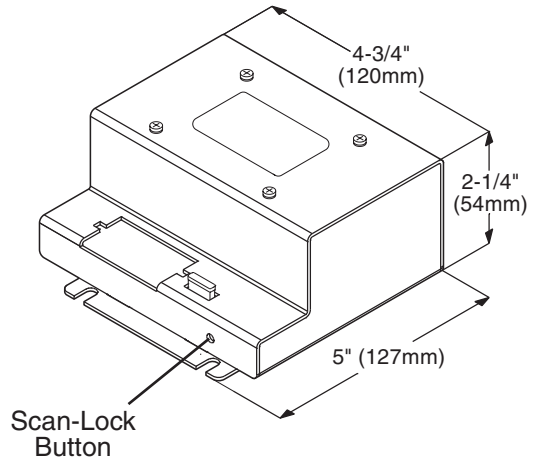
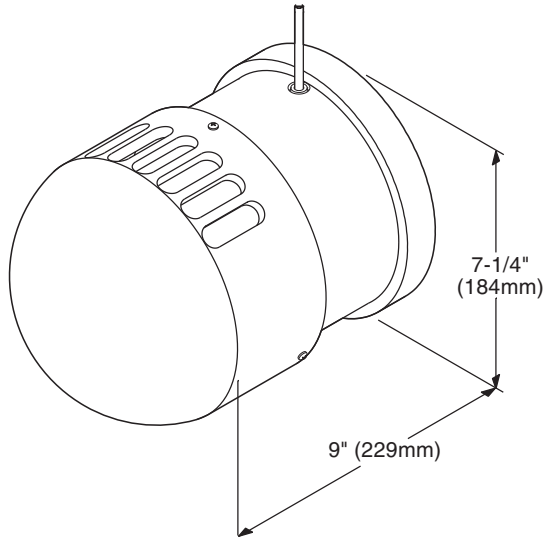
Form# HOW0608

WHELEN®
ENGINEERING COMPANY, INC.

Engineers for the Emergency Warning Industry

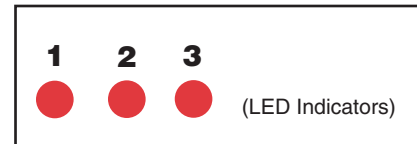
Howler™ Siren & Speaker System

HOWLER™ SPECIFICATIONS



Selecting tone duration and style is easy. Three LEDs located on the rear of the Howler amplifier provide a visual indication of the currently selected tone style during the configuration process. Using the Scan-Lock™ button, cycle through the three different tone styles. The currently selected style and tone can be identified by these LED indicators.

Rear View of Amplifier



Select Tone **Style** Via LED Indicator

LED1	LED2	LED3	TONE STYLE
On	Off	Off	1/4 Primary siren tone frequency (default)
Off	On	Off	1/2 Primary siren tone frequency
On	On	Off	1/4 & 1/2 Primary siren tone frequency

Select Tone **Duration** Via LED Indicator

LED1	LED2	LED3	TONE DURATION
Off	Off	Off	7.5 Seconds (default)
On	Off	Off	15 Seconds
Off	On	Off	22.5 Seconds
On	On	Off	30 Seconds
Off	Off	On	37.5 Seconds
On	Off	On	45 Seconds
Off	On	On	52.5 Seconds
On	On	On	60 Seconds



Bottom view of speaker