

L21 and L22 Series

360° SUPER BRIGHT UNIFORM INTENSITY SUPER-LED® BEACONS



L21LCP
Polycarbonate
Base clear
low dome.



L21HAP
Polycarbonate
Base amber
high dome.



L22HRV
Magnetic-Suction
mount red high dome.

L21 & L22 SUPER-LED® SERIES BEACONS

The L21 and L22 Series Beacons are certified SAE Class I (L21) and Class II (L22). Both models have a rated life that exceeds comparable flash tubes by more than 50:1.

The L21 utilizes new Broadband Energy Radiator™ Technology (patent pending). This solid-state beacon resembles traditional strobe beacons but has greater light output and lower amp draw.

The L22 features generation 3.5 LED technology that rivals strobe in power with lower amp draw.



L22 beacon permanent mount installed on vehicle roof.

FEATURES

Both L21 and L22

- Combination mounting: pipe, permanent and J-hook.
- Select 12 or 24 VDC.
- 100,000 hour rated life.
- SmartLED™ beacon design.
- Permanent/pipe mount supplied with 6" pigtail. Magnetic mount supplied with 10' straight cord with LED "ON" indicator switch and cigar plug.
- Five-year warranty.

L21 Only

- Certified SAE J845 Class, Class I 360° (amber).
- Low current draw: 1.5 amp (peak), 0.6 amp (average) @12.8 VDC.
- 75 SignalAlert™ flashes per minute standard. Permanent mount features 24 total Scan-Lock™ alternating and simultaneous flash patterns (synchronize with up to 8 total beacons).
- Choice of high or low polycarbonate dome.
- Polycarbonate or cast aluminum base.
- Virtually no EMI radiation.
- Hi/Low mode available in permanent mount only.
- Permanent mount available with cruise light with four intensity levels.

L22 Only

- Certified SAE J845 Class, Class II 360° (amber).
- Low current draw: 0.65 amp (peak), 0.26 amp (average) @12.8 VDC.
- 75 SignalAlert™ flashes per minute standard; 15 total Scan-Lock™ flash patterns built-in.
- Heavy-duty magnet enhanced suction mount.
- Polycarbonate base and dome (available high dome only).

Note: Magnetic or magnetic-suction mount models do not offer Scan-Lock™, cruise light, low power or SYNC functions.



L21, L22 high and low dome mirror mounts.

L21 available in Amber and White only

L22 in Red, Amber, White and Blue

Form# L21221107



Officially Licensed
Warning Lights Of
NASCAR®



All Whelen Products
are proudly made
in the U.S.A.*

WHELEN®

ENGINEERING COMPANY, INC.

Engineers for the Emergency Warning Industry

L21 Beacon Models

- L21H*P:** ...12 VDC, combination mount, polycarbonate base, high dome
- L21H*M:** ...12 VDC, magnetic mount with 10' cigar cord with LED "ON" indicator switch, polycarbonate base, high dome
- L21H*V:** ...12 VDC, magnetic-suction mount with 10' cigar cord with LED "ON" indicator switch, polycarbonate base, high dome
- L21H*P4:** ...24 VDC, combination mount, polycarbonate base, high dome
- L21H*M4:** ...24 VDC, magnetic mount with 10' cigar cord and LED "ON" indicator switch, polycarbonate base, high dome
- L21L*P:** ...12 VDC, combination mount, polycarbonate base, low dome
- L21L*M:** ...12 VDC, magnetic mount with 10' cigar cord and LED "ON" indicator switch, polycarbonate base, low dome
- L21L*V:** ...12 VDC, magnetic-suction mount with 10' cigar cord with LED "ON" indicator switch, polycarbonate base, low dome
- L21L*P4:** ...24 VDC, combination mount, polycarbonate base, low dome
- L21L*M4:** ...24 VDC, magnetic mount, 10' cigar cord with LED "ON" indicator switch, polycarbonate base, low dome
- L21H*C:** ...12 VDC, combination mount, cast aluminum base, high dome
- L21H*C4:** ...24 VDC, combination mount, cast aluminum base, high dome
- L21L*C:** ...12 VDC, combination mount, cast aluminum base, low dome
- L21L*C4:** ...24 VDC, combination mount, cast aluminum base, low dome

REPLACEMENT PARTS

DH2000*: ...High Dome

DL2000*: ...Low Dome

Replace (*) in above model numbers with letter indicating color choice: **A** = Amber, **C** = Clear

L22 Lighthoods Models (high dome only)

- L22H*P:** ...12 VDC, combination mount, polycarbonate base
- L22H*M:** ...12 VDC, magnetic mount, polycarbonate base with 10' cigar cord and built-in LED "ON" indicator switch
- L22H*V:** ...12 VDC, magnetic-suction mount, polycarbonate base with 10' cigar cord and built-in LED "ON" indicator switch
- L22H*P4:** ...24 VDC, combination mount, polycarbonate base
- L22H*M4:** ...24 VDC, magnetic mount, polycarbonate base with 10' cigar cord and built-in LED "ON" indicator switch

Replace (*) in above model numbers with letter indicating color choice:

A = Amber LED and amber dome **B** = Blue LED and blue dome **C** = White LED and clear dome
R = Red LED and red dome **1** = Amber LED and clear dome **2** = Blue LED and clear dome
5 = Red LED and clear dome

REPLACEMENT PART

DH2000*: ...Dome

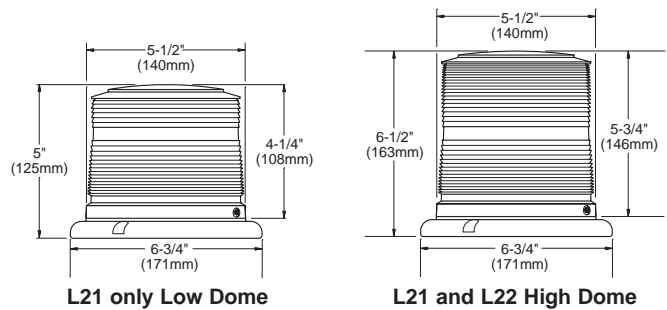
Replace (*) in above model number with letter indicating color choice: **A** = Amber, **B** = Blue, **C** = Clear, **R** = Red.

NOTE: The use of any magnetic or magnetic-suction mounted warning beacon on the vehicle while in motion, is at the discretion and risk of the user.

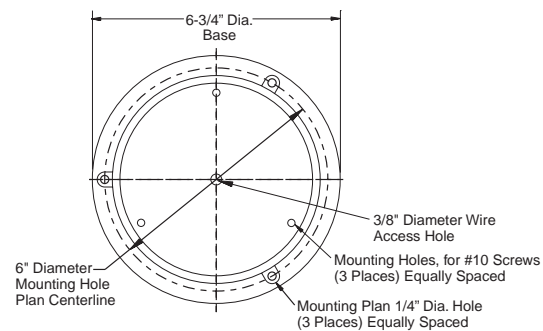
L21 & 22 Options

- MMK:**Magnetic Kit with 8" cord and plug
- CP:**8" cord and plug
- SS:**Sun shade, mylar
- BGL:**Branch guard, low dome, 6-1/2" tall with beacon
- BGH:**Branch guard, high dome, 7-1/2" tall with beacon
- LSK:**Lighted switch kit mounted on bracket, wired and fused
- MIRROR20:** .Mirror mount brackets

L21 and 22 Specifications and Dimensions



Mounting



Magnetic mount models do not include Scan-Lock™, cruise light, low power or sync feature.

Available Scan-Lock™ Flash Patterns

Scan-Lock™ allows you to choose between available flash patterns.

L21 (24 patterns)

- SignalAlert™ 75 (Phase 1)
- SignalAlert™ 75 (Phase 2)
- CometFlash™ 75 (Phase 1)
- CometFlash™ 75 (Phase 2)
- DoubleFlash 75 (Phase 1)
- DoubleFlash 75 (Phase 2)
- SingleFlash 75 (Phase 1)
- SingleFlash 75 (Phase 2)
- ComAlert™ 75 (Phase 1)
- ComAlert™ 75 (Phase 2)
- LongBurst™ 75 (Phase 1)
- LongBurst™ 75 (Phase 2)
- Ping-Pong 75 (Phase 1)
- Ping-Pong 75 (Phase 2)
- SingleFlash 60
- SingleFlash 90
- SingleFlash 120
- SingleFlash 300
- DoubleFlash 150
- ComAlert™ 150
- ActionFlash™ 1
- ActionFlash™ 2
- ModuFlash™
- ActionScan™

L22 (15 patterns)

- SignalAlert™ 75
- SignalAlert™ 150
- SingleFlash 375
- SingleFlash 150
- SingleFlash 75
- DoubleFlash 150
- DoubleFlash 75
- CometFlash™ 75
- ActionFlash™
- ModuFlash™ 70
- ComAlert™
- ActionScan™
- SignalAlert™ Steady
- Steady-Brake
- Steady

WHELEN®
ENGINEERING COMPANY, INC.

Route 145, Winthrop Road
 Chester, Connecticut 06412-0684
 (860) 526-9504 • Fax: (860) 526-4078
 www.whelen.com



Whelen Engineering reserves the right to upgrade and improve products without notice.

Some back-up alarms are made in Canada for Whelen. NASCAR® is a registered trademark of the National Association for Stock Car Auto Racing, Inc. © 2007 Whelen Engineering Co., Inc. Printed in U.S.A. Code No. 11700G-112707