

Rota-Beam™ RB6 Series

ROTATING HALOGEN BEACONS



Rota-Beam RB6 is a versatile, mid-sized beacon, perfect for utility, maintenance, fire and rescue applications. Its straightforward relampable design is easy to install and easy to service.

In 1956 Whelen introduced the popular Rota-Beam Series. Back by popular demand, we've now added a new dual reflector model. For fire truck applications, it is the first rotating beacon to meet NFPA requirements in red/red for the "Upper Zone C". It's part of Whelen's tradition; providing superior performance and reliability with lighting products that meet and exceed typical warning light requirements.

FEATURES

- New dual reflector model, 65 RPM produces 130 FPM for a longer "on time" light.
- Single parabolic reflector beacon, 150 RPM produces 150 FPM.
- Unique motor assembly with precision double roller ball bearings provides superior performance with less friction, minimal noise and ultimate reliability.
- New parabolic reflectors, designed by computer sterolithography, have dramatically increased light intensities with greater optic spread.
- Polycarbonate domes are sealed to base with weather-resistant "O" ring gasket.
- Non-corroding bases are offered in both 1" NPT pipe mount and concealed permanent flat mount, in the same unit. No additional flanges or mounting collars are required.
- Optional magnetic mount kit with cord and cigar plug.
- Three year warranty on motor assembly.
- Meet and exceeds S.A.E and California Title XIII and NFPA 1901 requirements for emergency vehicles.



Designed & Manufactured in the U.S.A.

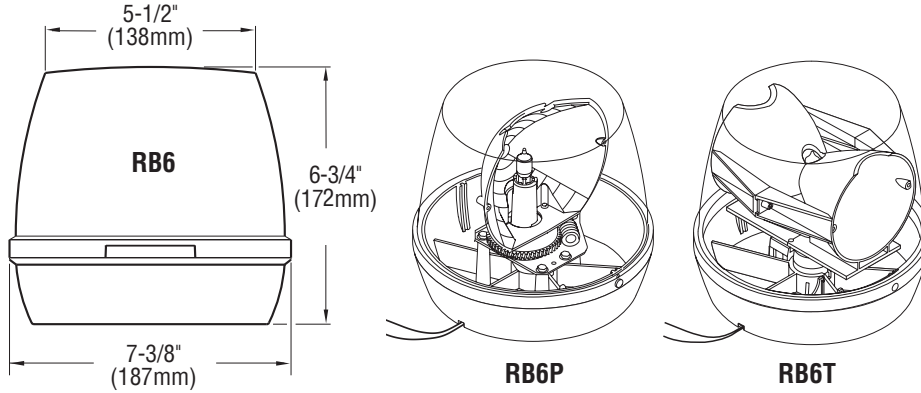


Available in all 6 safety colors

Form# RB60106

WHELEN®
Engineers for the Emergency Warning Industry

Rota-Beam™ SPECIFICATIONS



ELECTRICAL AND PHYSICAL DATA

MODEL	VOLTAGE	PEAK CURRENT (AMPS ¹)	FLASH RATE (FPM)	BEAM CANDLEPOWER	LAMP TYPE	AMBIENT TEMPERATURE	WEIGHT
RB6P	12 VDC	3.9a	150	70,000	50 WATT SNAP-IN BASE HALOGEN	-30°F (-34°C) to +120°F (+49°C)	1 lb., 5 oz. (55kg)
RB6T*P	12 VDC	5a	130	50,000	60 WATT SNAP-IN BASE HALOGEN	-30°F (-34°C) to +120°F (+49°C)	1 lb., 7 oz. (64kg)

¹ Current at model's operating voltage, 12 V.

MODELS

RB6P*PPermanent mount single reflector.
 RB6P*MMagnetic mount single reflector.
 RB6T*PPermanent mount dual reflector.

OPTIONS

WMM6KMagnetic mount kit for RB6 Series. Includes magnet and cigar plug with 6' straight cord.
 KCF*Color filter kit (customer installed) for use with clear outer dome, RB6P only.
 RB6CF*Color filter kit (customer installed) for use with clear outer dome, RB6T only.



Note: The use of a magnetic mounted beacon on the roof of a vehicle in motion is not recommended, and is at the sole discretion and risk of the user.

WHELEN[®]
ENGINEERING COMPANY, INC.

Route 145, Winthrop Road
 Chester, Connecticut 06412-0684
 (860) 526-9504 • Fax: (860) 526-4078
 Internet: www.whelen.com

 Whelen Engineering reserves the right to upgrade and improve products without notice.
MADE IN THE U.S.A.

© 2006 Whelen Engineering Company, Inc.
 Form No.10148E-0106